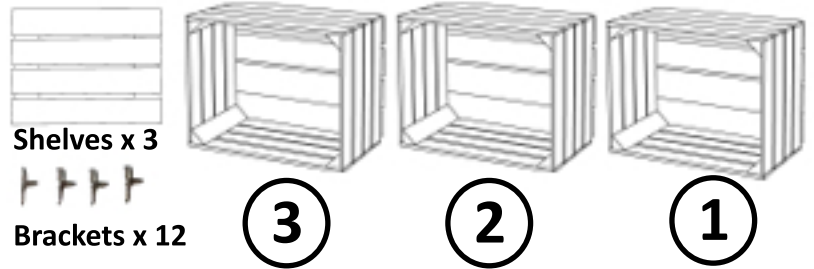


PARTS SUPPLIED:

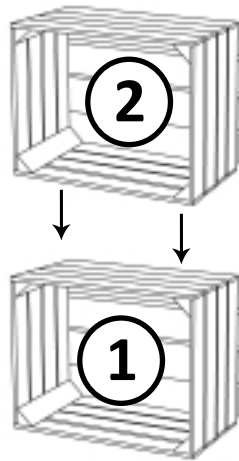
- 3 x Premium Crates
- 1 x Wheel Set (if selected)
- 3 x Shelves (if selected)
- 12 x Shelf Brackets (if shelves selected)
- 9 x Joining Bolts
- 2 x Allen Keys



Step 1.

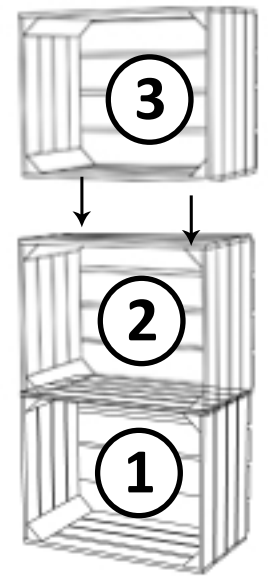
Place the base crate (with wheels if selected) on the floor.

Thread the joining bolts through Crate 2 and into the top of Crate 1. Tighten with allen keys provided and then stand the crates upright (as shown >>).



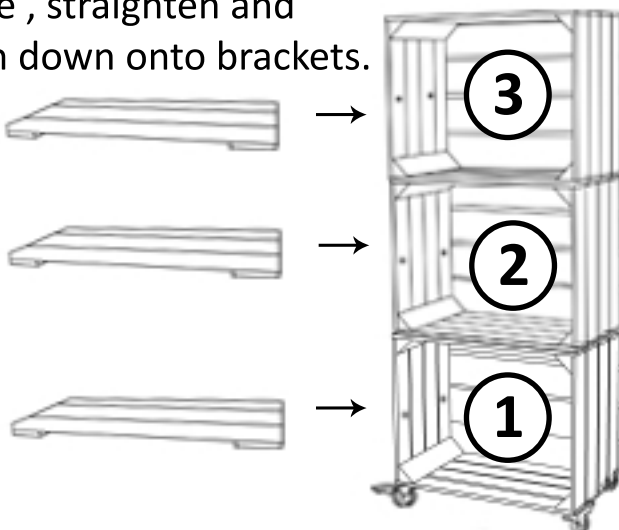
Step 2.

Place Crate 3 on top of Crate 2 ensuring the drill holes line up. Thread the joining bolts through Crate 3 into Crate 2 and tighten with allen keys provided.



Step 3.

If you selected a set of shelves, place brackets into drilled holes, with the flat side facing up. Angle the shelf to fit into Crate, straighten and push down onto brackets.



Step 4.

Your crate display is ready! Release the braked wheels to move into position and place your products.

