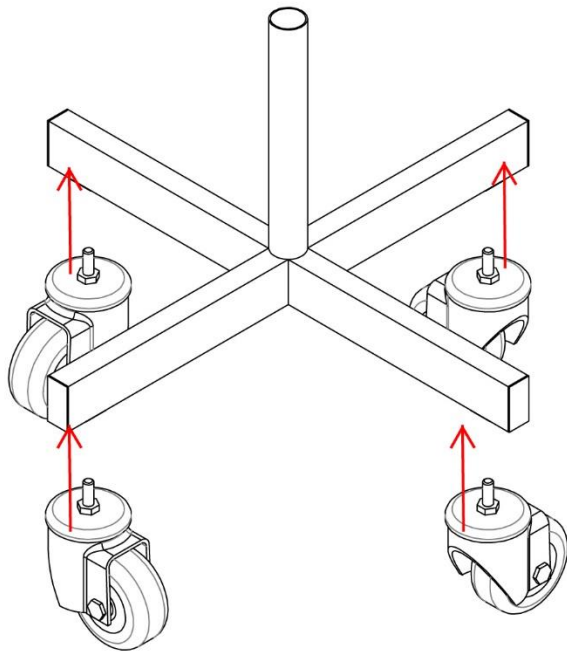


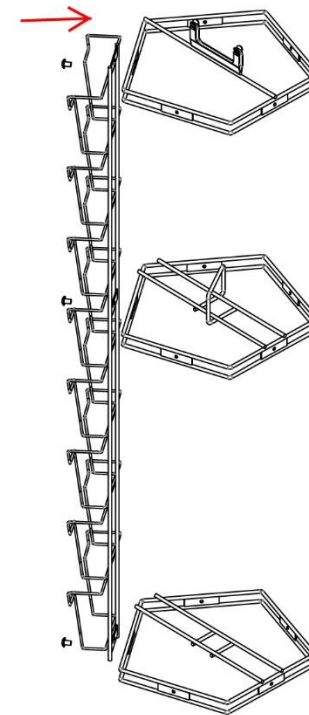
Step 1.

Screw in castors to base.



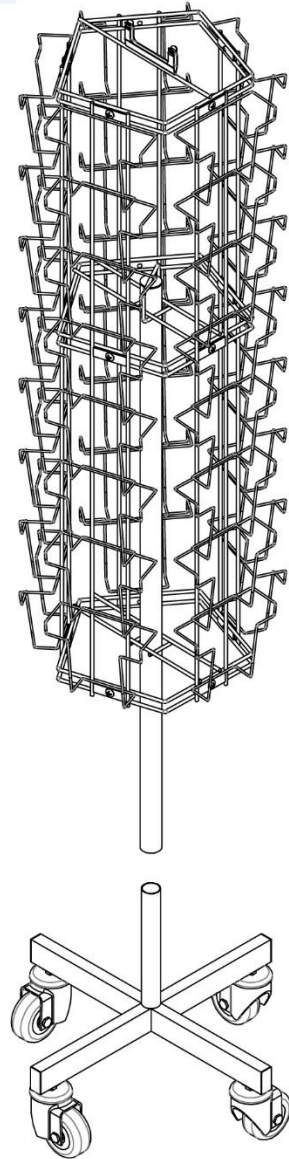
Step 2.

Attach top, middle and bottom centre parts to one pocket panel using screws provided.
Continue adding pocket panels to cage.



Step 3.

Place centre pole into cage and attach to base pole



Step 4.

Align pockets to ensure there is no overlap.

