

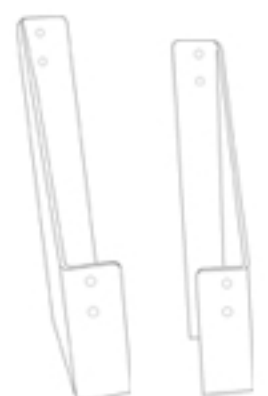
# DISPLAY STANDS Ltd



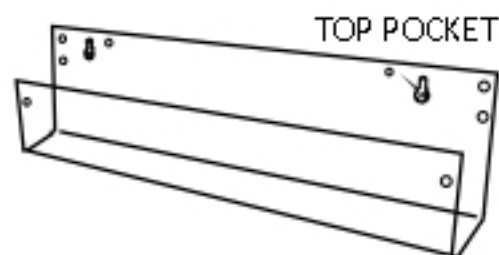
## Acrylic Card Stand Assembly Instructions DSL1 (300mm), DSL2 (420mm) & DSL3 (600mm)

### PARTS SUPPLIED:

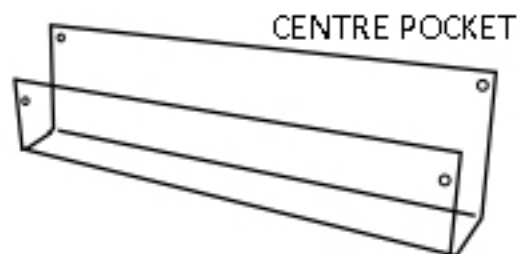
2 x Sides, 3 x Pockets, 12 x Snap Rivets



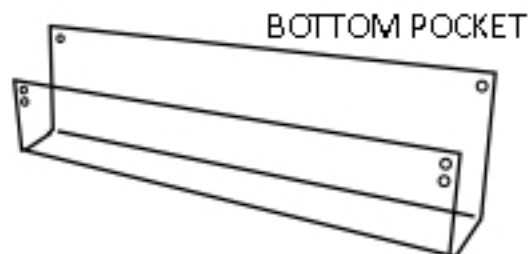
SIDE PANELS



TOP POCKET

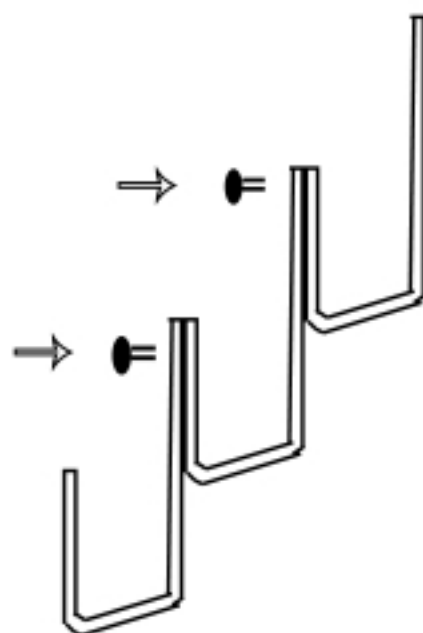


CENTRE POCKET

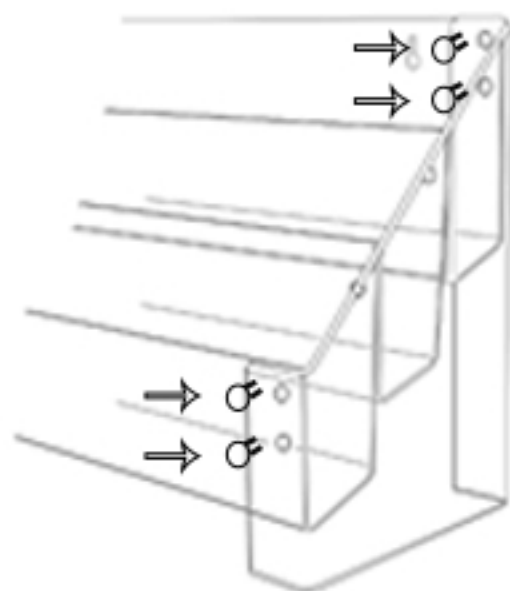


BOTTOM POCKET

PLEASE REMOVE PROTECTIVE FILM BEFORE ASSEMBLY



1. Connect the pockets as shown (making sure you have the pockets in the correct order) using the snap rivets supplied. Ensure the rivets “snap” into place.



2. Attach assembled pockets to both side panels using snap rivets. The side panels should go on the outside of the pockets.