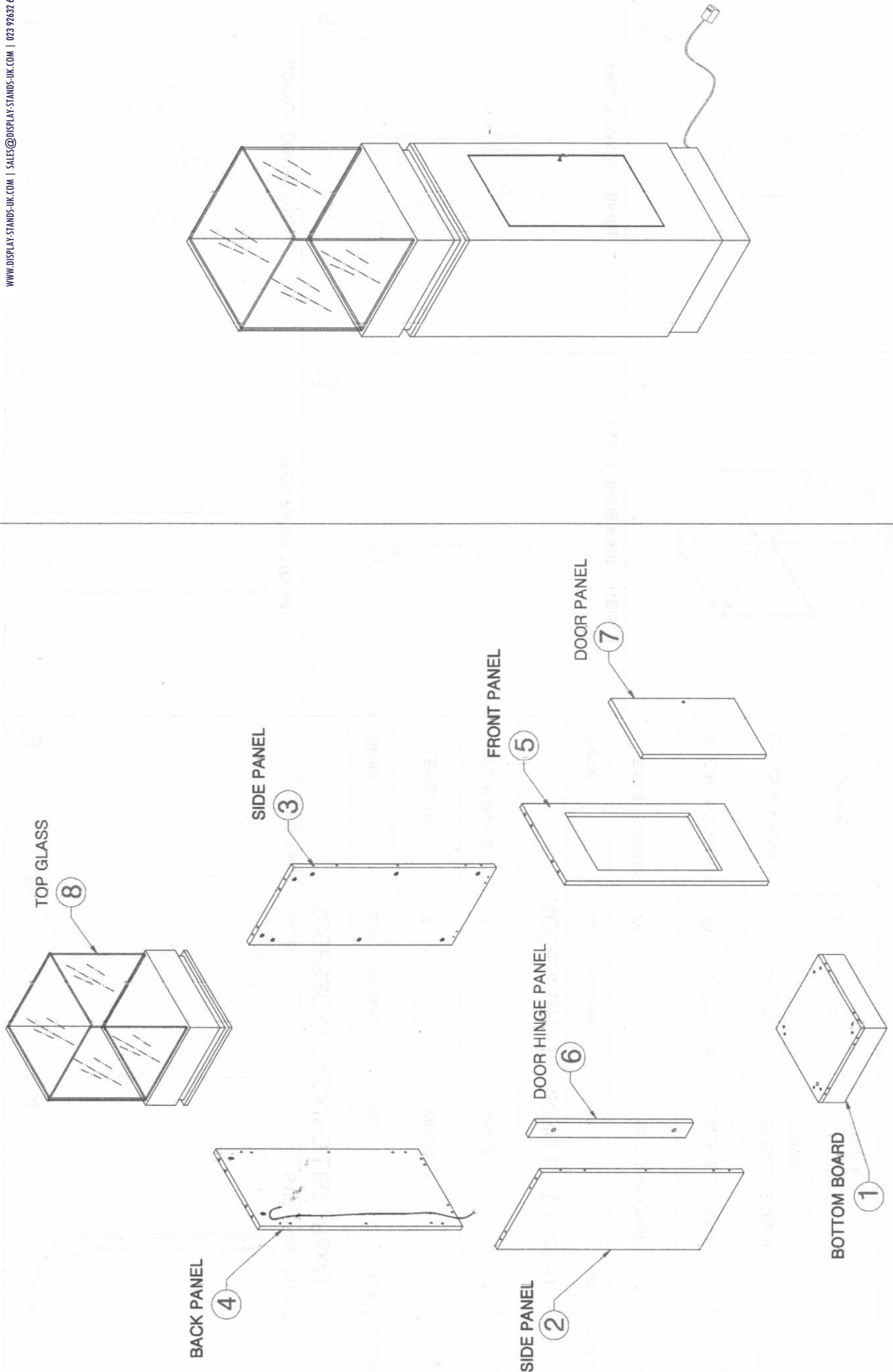
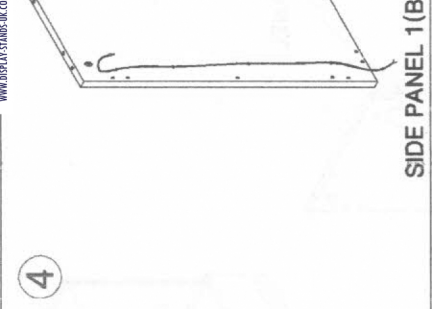
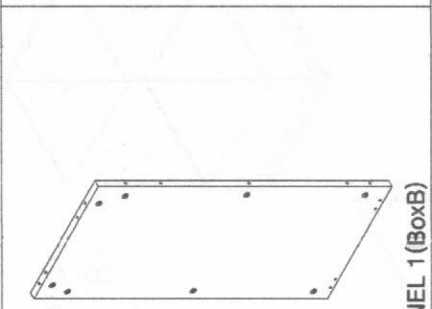
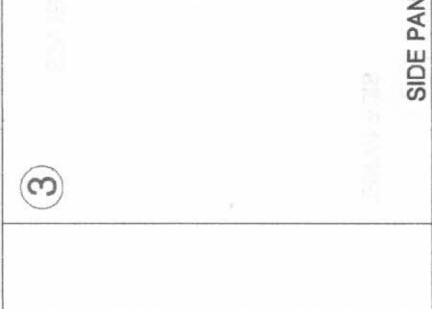
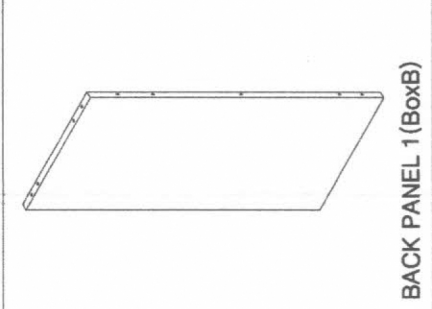
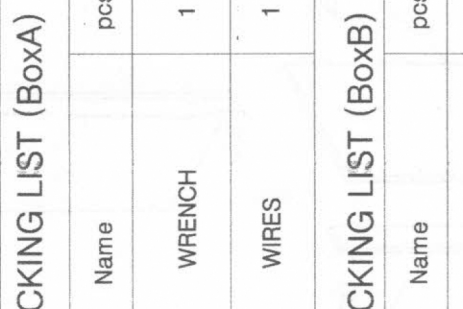
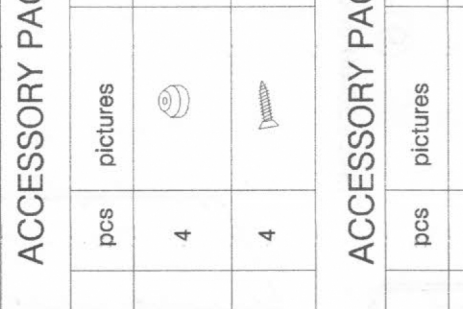
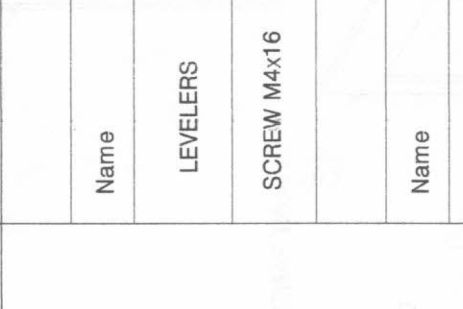
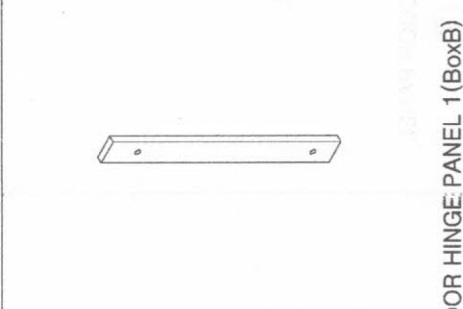






INSTALLATION DRAWING








INSTALLATION DRAWING

<p>①</p>  <p>BOTTOM BOARD 1 (Box A)</p>	<p>②</p>  <p>BACK PANEL 1 (Box B)</p>	<p>③</p>  <p>SIDE PANEL 1 (Box B)</p>	<p>④</p>  <p>SIDE PANEL 1 (Box B)</p>
<p>⑤</p>  <p>FRONT PANEL 1 (Box B)</p>	<p>⑥</p>  <p>DOOR HINGE PANEL 1 (Box B)</p>	<p>⑦</p>  <p>DOOR PANEL 1 (Box B)</p>	<p>⑧</p>  <p>TOP GLASS 1 (Box A)</p>

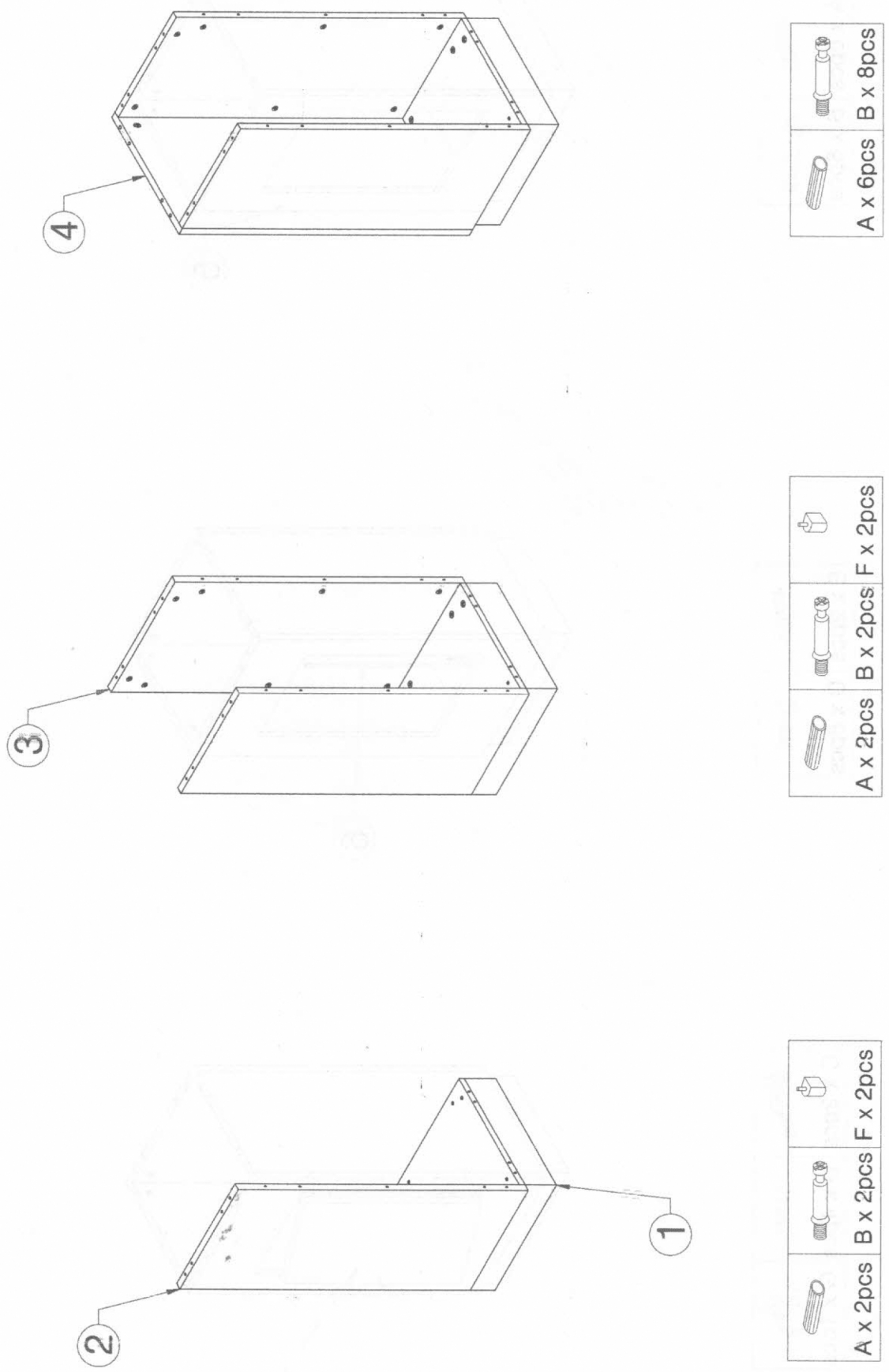
ACCESSORY PACKING LIST (Box A)

Name	pcs	pictures	Name	pcs	pictures
LEVELERS	4		WRENCH	1	 #16
SCREW M4x16	4		WIRES	1	

ACCESSORY PACKING LIST (Box B)

Name	pcs	pictures	Name	pcs	pictures
A: WOOD DOWELS	24		F: SHELF HOLDER	4	
B: CAM LOCK PINS	28		G: GLASS LOCKER	1	
C: DOOR HINGE	2		2/4SLOT SCREW DRIVER	1	
D: SCREWS	12		LARGE SCREW DRIVER	1	
E: SCREW M6x35	2				

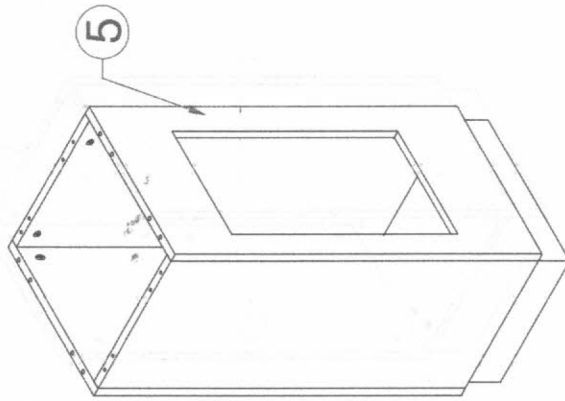
INSTALLATION DRAWING





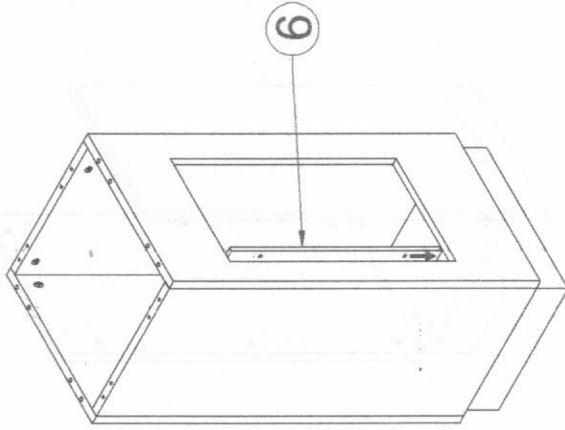
- | | |
|--|----------|
| | A x 2pcs |
| | B x 2pcs |
| | F x 2pcs |



- | | |
|--|----------|
| | A x 2pcs |
| | B x 2pcs |
| | F x 2pcs |

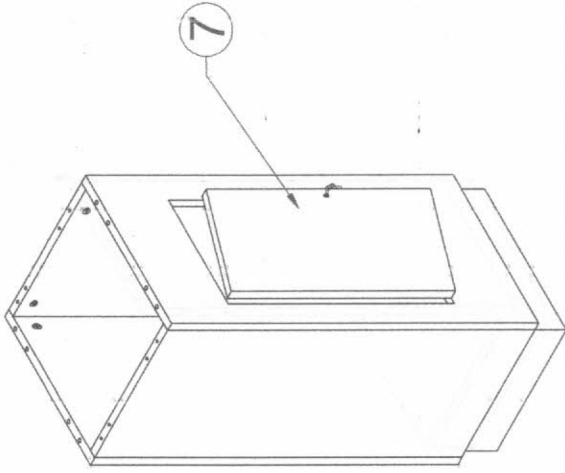
- | | |
|--|----------|
| | A x 6pcs |
| | B x 8pcs |



- | | |
|---|----------|
|  | A x 6pcs |
|  | B x 8pcs |

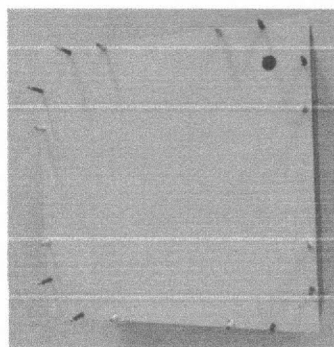


- | | |
|---|----------|
|  | E x 2pcs |
|  | D x 8pcs |

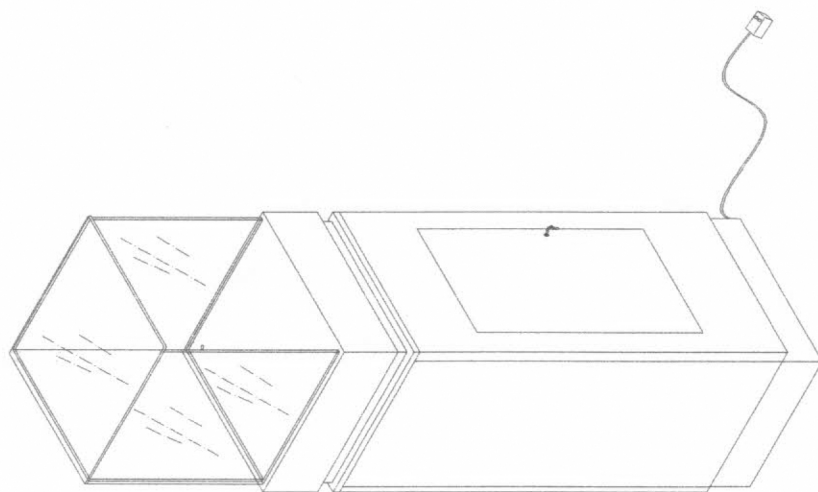
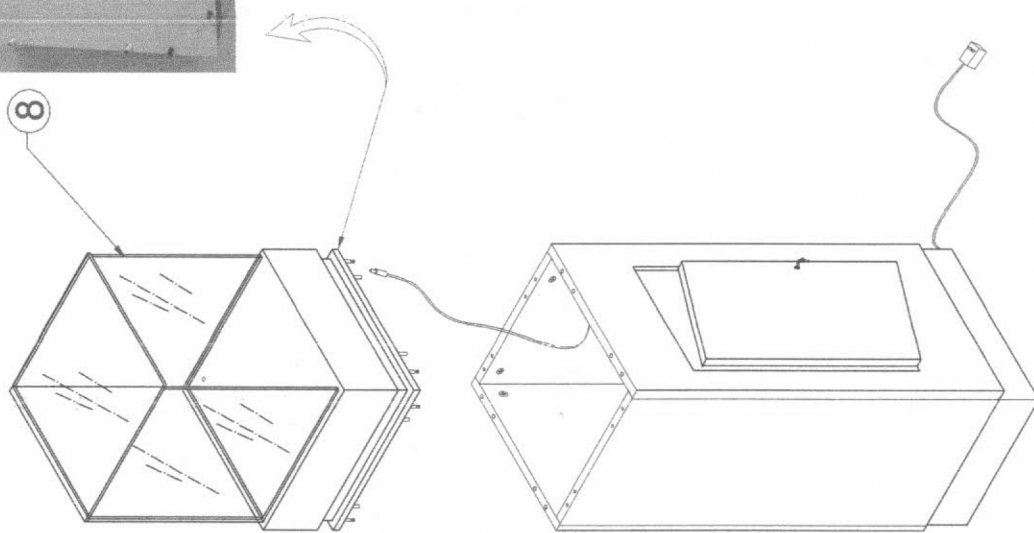




- | | |
|---|----------|
|  | C x 2pcs |
|  | D x 4pcs |
|  | G x 1pcs |

INSTALLATION D RAWING



8



- | | |
|---|---|
|  |  |
| A x 8pcs | B x 8pcs |